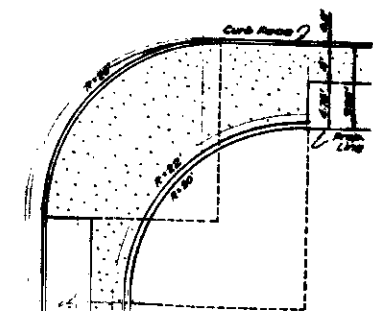
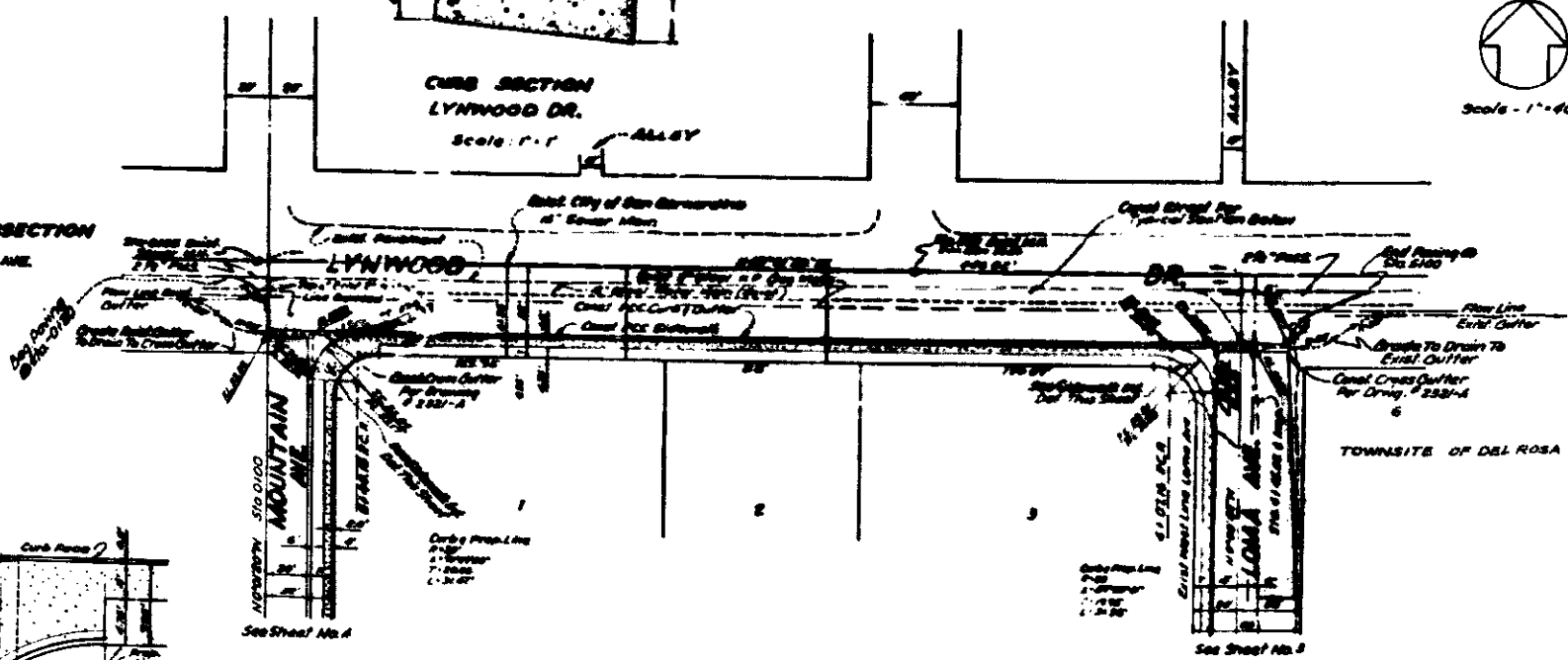
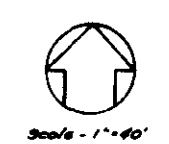
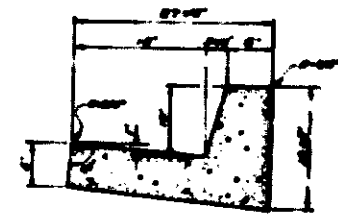
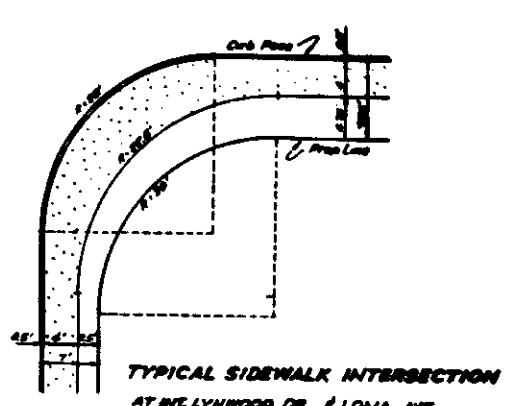
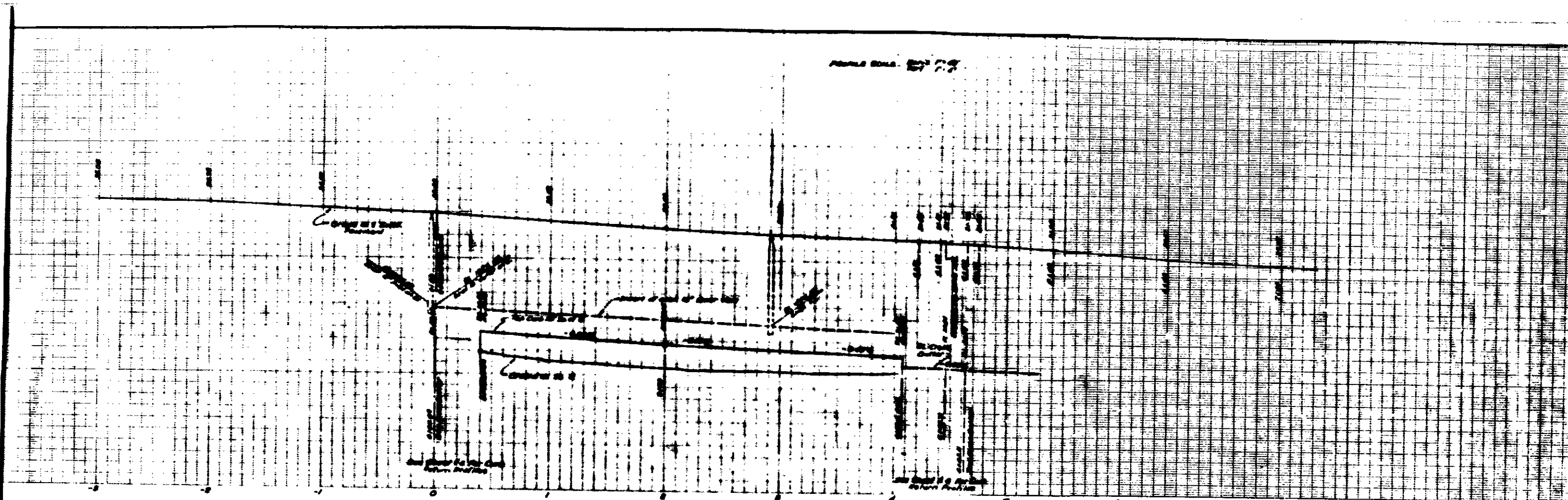


- NOTES:**
- All work embedded in these Plans shall be done to conform with applicable provisions of Specifications No. 2271.
 - All Standard Cross Sections of curb, gutter and pavement are as per City of San Bernardino, Department of Engineering S.D. Drawings No. 2321.
 - 8" x 6" manholes with connecting sewer to be constructed, unless on Plan this.
 - All vitrified clay house connections shall be constructed on an upward grade of 2 per cent from Main Sewer and shall extend from the main Sewer to the Property Line.
 - Sewer laterals to be constructed of either "Mole-Loak" "Seal Seal" or Bond Seal clay pipe or asbestos cement pipe. "Seal Seal" shall be constructed of either "Mole-Loak", "Seal Seal" or "Bond Seal" clay pipe.
 - All house connections are approximate and exact location shall be determined in the field.
 - Manhole frames & covers to be constructed by Sewer Contractor 2' below Official Grade shown and upon completion of paving, the Paving Contractor shall adjust manhole frames and covers to said Official Grade.
 - Manhole steps shall not be required. Manhole Frames and Covers shall be Alhambra Foundry No. A-1190 ("Silent Knight") or approved equal.
 - The existence and location of any underground utility pipes or structures shown on these Plans are obtained by a search of the available records. To the best of our knowledge there are no existing utilities except as shown on this map. The Contractor is required to take due and cautious measures to protect the utility lines shown and any other lines not of record or not shown on this drawing.
 - Bench Marks: Chis. 1 in 1777 hydrant collar 20' No. and 24' West of E. Lynwood St. and Mountain Ave. Elev. 187.08 Established from U.S.C.S. G.S. B.M. V-275, 1935 - Top east headwall of culvert 39' No. 8 main track and 13' East of E. of Del Rosa Ave. at A.T.S.R. Rly. Elev. 125.73.
 - Pavement design will be determined by a Soil Test to be furnished by a recognized soil testing laboratory.

Don B. Miller
DON B. MILLER, R.C.E. No. 8790

No.	DESCRIPTION	DATE	APPROVED
1	Revised Shts. 1314 - 1318, redrawn	Nov. 1952	R. G. A. T.

IMPROVEMENT PLANS



- NOTES:**
- All work embedded in these Plans shall be done to conform with applicable provisions of Specifications No. 2271.
 - All Standard Cross Sections of curb, gutter and pavement are as per City of San Bernardino, Department of Engineering S.D. Drawings No. 2321.
 - 8" x 6" pipes with connecting sewer to be constructed, unless on Plan this.
 - All vitrified clay house connections shall be constructed on an upward grade of 2 per cent from Main Sewer and shall extend from the main Sewer to the Property Line.
 - Sewer laterals to be constructed of either "Mole-Loak" "Seal Seal" or Bond Seal clay pipe or asbestos cement pipe. "Seal Seal" shall be constructed of either "Mole-Loak", "Seal Seal" or "Bond Seal" clay pipe.
 - All house connections are approximate and exact location shall be determined in the field.
 - Manhole frames & covers to be constructed by Sewer Contractor 2' below Official Grade shown and upon completion of paving, the Paving Contractor shall adjust manhole frames and covers to said Official Grade.
 - Manhole steps shall not be required. Manhole Frames and Covers shall be Alhambra Foundry No. A-1190 ("Silent Knight") or approved equal.
 - The existence and location of any underground utility pipes or structures shown on these Plans are obtained by a search of the available records. To the best of our knowledge there are no existing utilities except as shown on this map. The Contractor is required to take due and precautionary measures to protect the utility lines shown and any other lines not of record or not shown on this drawing.
 - Bench Marks: Chis. 1 - in 7" hydrant collar 20' No. and 24' West of E. Lynwood St. and Mountain Ave. Elev. 187.08 Established from U.S.C.S. G.S. B.M. V-275, 1935 - Top east headwall of culvert 39' No. 8 main track and 13' East of E. of Del Rosa Ave. at A.T.S.R. Rly. Elev. 125.73.
 - Pavement design will be determined by a Soil Test to be furnished by a recognized soil testing laboratory.

Don B. Miller
DON B. MILLER, R.C.E. No. 8790

No.	DESCRIPTION	DATE	APPROVED
1	Revised Shts. 1314 - 1318, redrawn	Nov. 1952	R.G.A.

IMPROVEMENT PLANS